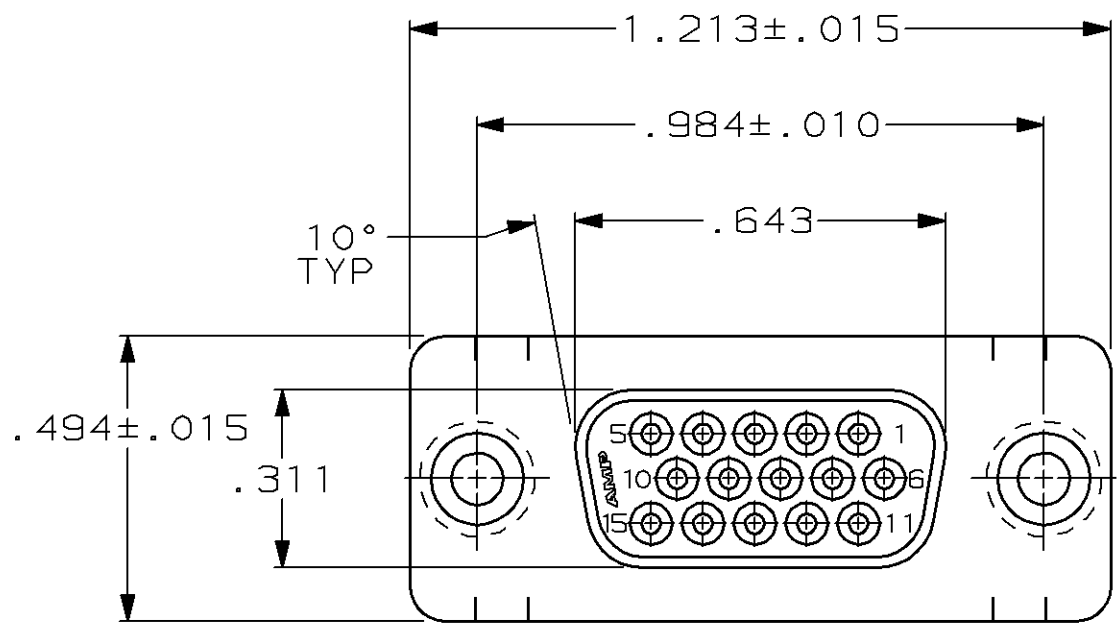
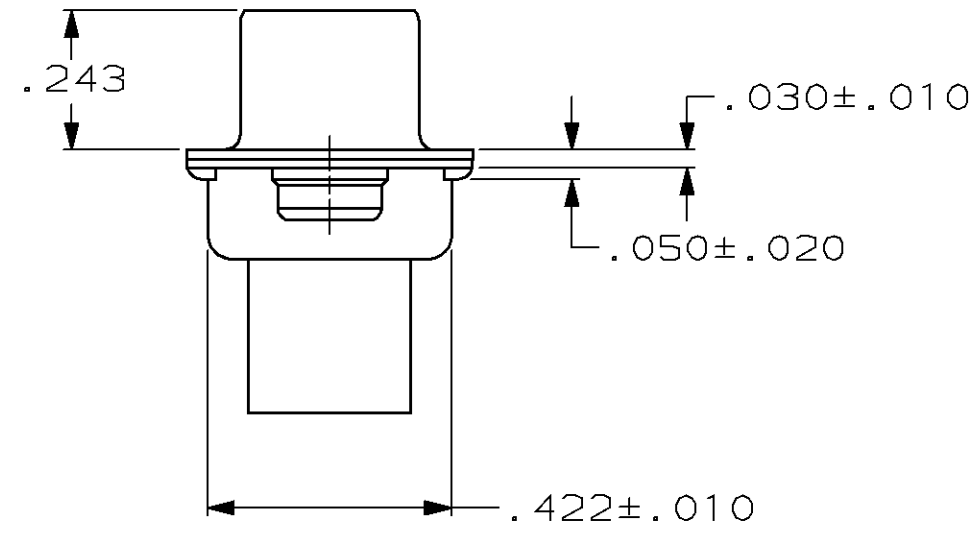
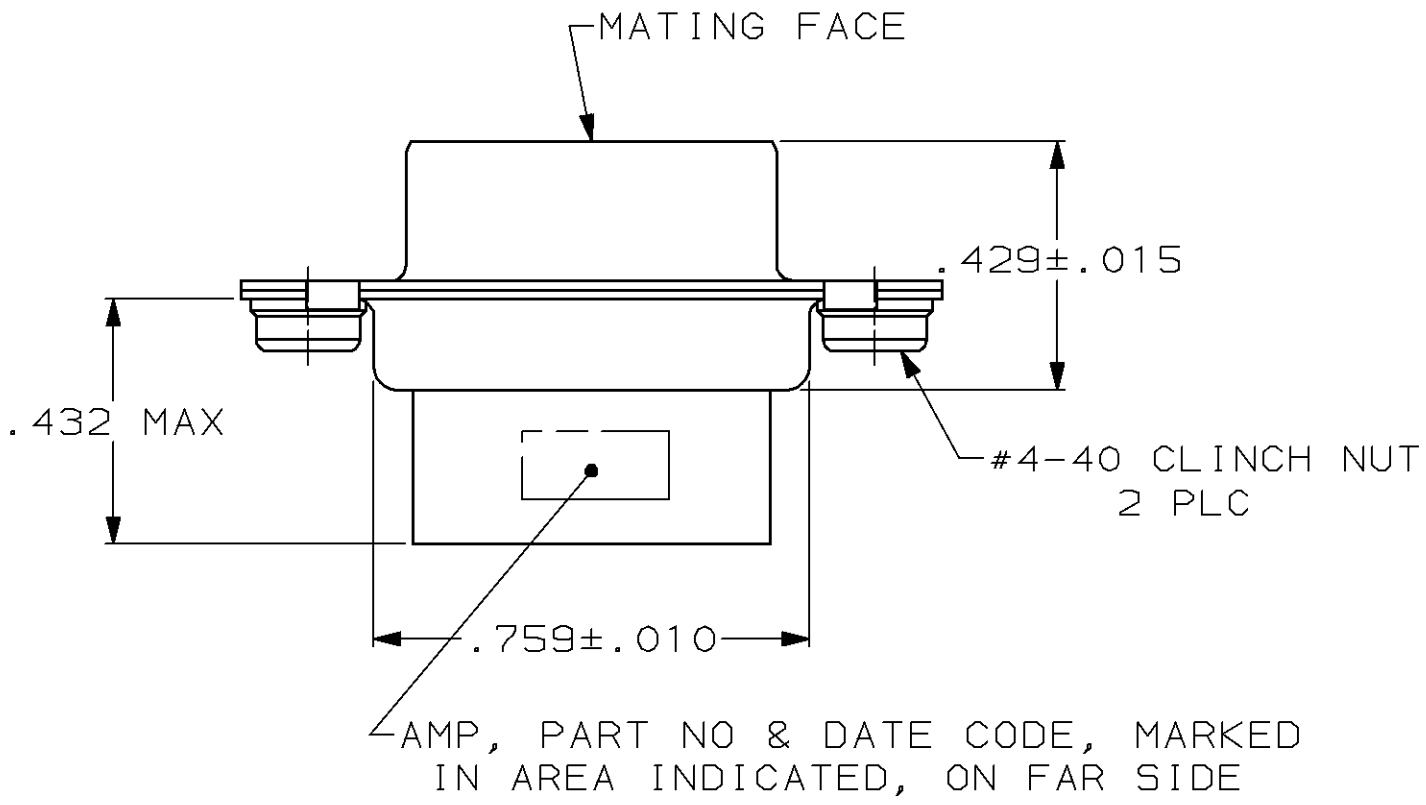


LOC		DIST		REVISIONS				
BD	39	P	F	ZONE	LTR	DESCRIPTION	DATE	APPD
					0	RELEASED	-	-



1. CONNECTOR ACCEPTS SIZE 22 DF SOCKET CONTACTS, RETENTION TINES ARE AN INTEGRAL PART OF INSERT.
2. FLAME RETARDANT 94V-0 RATED GLASS FILLED NYLON, COLOR: BLACK.
3. STEEL PER ASTM A109.
4. STEEL.
5. TIN PLATED PER MIL-T-10727.
6. ZINC PLATED PER ASTM B633, TYPE II, CLASS SC1, YELLOW CHROMATE.



748696-1

PART NO

DO NOT SCALE PRINT. UNLESS SPECIFIED DIMENSIONS IN INCHES TOLERANCES ON : 2 PLC DEC ± .005 3 PLC DEC ± .005 ANGLES ± 2°	DR -	AMP INCORPORATED Harrisburg, Pa. 17105
	CHK -	
	APPD -	
	APPD -	
MATERIAL MOLDED PARTS: 2	APPD -	NAME RECEPTACLE CONNECTOR, SIZE 1, 15 POSN, WITH NON-LOCKING CLINCH NUTS, AMPLIMITE® HDP-22
SHELLS: 3	PRODUCT SPEC -	
CLINCH NUTS: 4	APPLICATION SPEC -	SIZE C
FINISH SHELLS: 5	WEIGHT -	FSCM NO 00779
CLINCH NUTS: 6		DRAWING NO 748696
		SCALE 3:1
		SHEET 1 OF 1